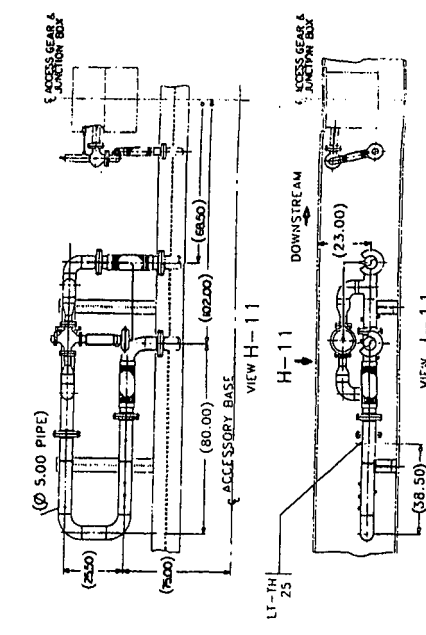
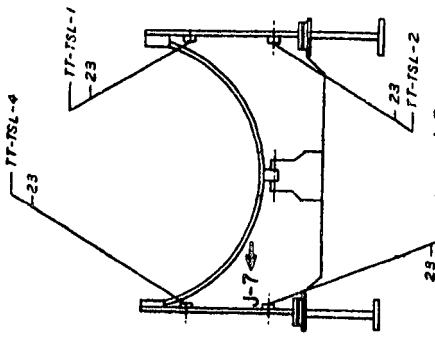
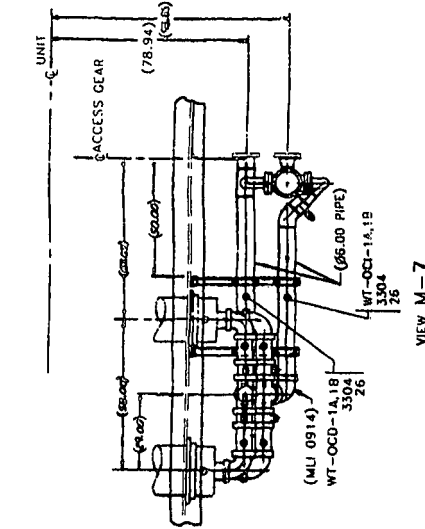
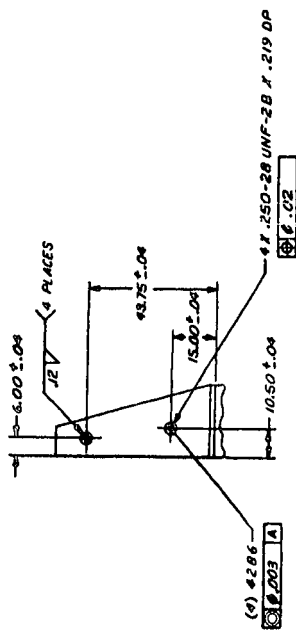


THERMOCOUPLE	DESCRIPTION	GR										UA										S									
		1	2	3	4	5	6	7	8	9	10	11	12	13	14	15	16	17	18	19	20	21	22	23	24	25					
TT-WSF1-1 TO 2	TURB TEMP-WHEELSPACE 1ST SIG FWD INNER	X	X	X	X	X	X	X	X	X	X	X	X	X	X	X	X	X	X	X	X	X	X	X	X						
TT-WSFO-1 TO 2	TURB TEMP-WHEELSPACE 1ST SIG FWD OUTER	X	X	X	X	X	X	X	X	X	X	X	X	X	X	X	X	X	X	X	X	X	X	X	X						
TT-WSAO-1 TO 2	TURB TEMP-WHEELSPACE 2ND SIG FWD OUTER	X	X	X	X	X	X	X	X	X	X	X	X	X	X	X	X	X	X	X	X	X	X	X	X						
TT-WSFO-1 TO 2	TURB TEMP-WHEELSPACE 2ND SIG AFT OUTER	X	X	X	X	X	X	X	X	X	X	X	X	X	X	X	X	X	X	X	X	X	X	X	X						
TT-WSFO-1 TO 2	TURB TEMP-WHEELSPACE 3RD SIG FWD OUTER	X	X	X	X	X	X	X	X	X	X	X	X	X	X	X	X	X	X	X	X	X	X	X	X						
TT-WSAO-1 TO 2	TURB TEMP-WHEELSPACE 3RD SIG AFT OUTER	X	X	X	X	X	X	X	X	X	X	X	X	X	X	X	X	X	X	X	X	X	X	X	X						
TT-WS-1 TO 4	TURB TEMP-SUPPORT LEG	X	X	X	X	X	X	X	X	X	X	X	X	X	X	X	X	X	X	X	X	X	X	X	X						
TT-IR-1	TURB TEMP-INNER BARREL	X	X	X	X	X	X	X	X	X	X	X	X	X	X	X	X	X	X	X	X	X	X	X	X						
CT-F-1 TO 2	COMPRESSOR TEMPERATURE - INLET FLANGE	X	X	X	X	X	X	X	X	X	X	X	X	X	X	X	X	X	X	X	X	X	X	X	X						
CT-F-3 (RID)	COMPRESSOR TEMPERATURE - INLET FLANGE	X	X	X	X	X	X	X	X	X	X	X	X	X	X	X	X	X	X	X	X	X	X	X	X						
CT-DA-1 TO 2	COMPRESSOR TEMPERATURE - DISCHARGE ANNULUS	X	X	X	X	X	X	X	X	X	X	X	X	X	X	X	X	X	X	X	X	X	X	X	X						
LT-B30	THERMOCOUPLE NO. 3 BPG, DRAIN	X	X	X	X	X	X	X	X	X	X	X	X	X	X	X	X	X	X	X	X	X	X	X	X						
LT-BID	THERMOCOUPLE TURBINE HEAD	X	X	X	X	X	X	X	X	X	X	X	X	X	X	X	X	X	X	X	X	X	X	X	X						
LT-B20	THERMOCOUPLE NO. 1 BPG, DRAIN	X	X	X	X	X	X	X	X	X	X	X	X	X	X	X	X	X	X	X	X	X	X	X	X						
BT-J-1A,1B	THERMOCOUPLE NO. 2 BPG, DRAIN	X	X	X	X	X	X	X	X	X	X	X	X	X	X	X	X	X	X	X	X	X	X	X	X						
BT-J-2A,2B	BEARING METAL TEMP	X	X	X	X	X	X	X	X	X	X	X	X	X	X	X	X	X	X	X	X	X	X	X	X						
BT-J-3A,1A,1B	BEARING METAL TEMP	X	X	X	X	X	X	X	X	X	X	X	X	X	X	X	X	X	X	X	X	X	X	X	X						
BT-J-3-2A,2B	BEARING METAL TEMP	X	X	X	X	X	X	X	X	X	X	X	X	X	X	X	X	X	X	X	X	X	X	X	X						
LT-O-1A,1B	BEARING METAL TEMP	X	X	X	X	X	X	X	X	X	X	X	X	X	X	X	X	X	X	X	X	X	X	X	X						
WT-OC-1A,1B	WATER TEMP-OIL COOLER INLET, LO	X	X	X	X	X	X	X	X	X	X	X	X	X	X	X	X	X	X	X	X	X	X	X	X						
WT-OC-1A,1B	WATER TEMP-OIL COOLER OUTLET, LO	X	X	X	X	X	X	X	X	X	X	X	X	X	X	X	X	X	X	X	X	X	X	X	X						
FT-GI-4	FUEL GAS MANIFOLD TEMP	X	X	X	X	X	X	X	X	X	X	X	X	X	X	X	X	X	X	X	X	X	X	X	X						
AI-TK-1,2	EXHAUST FRAME COOLING AIR TEMP	X	X	X	X	X	X	X	X	X	X	X	X	X	X	X	X	X	X	X	X	X	X	X	X						

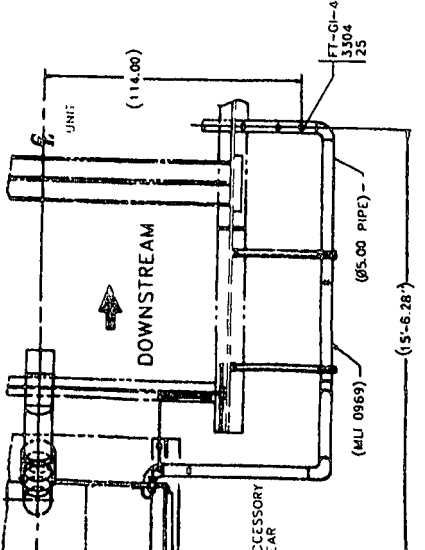
FIELD INTERCONNECT BY CUSTOMER. PT 27 DWG.



FOR GROUPS 19 & 20



VIEW M-7



VIEW M-7