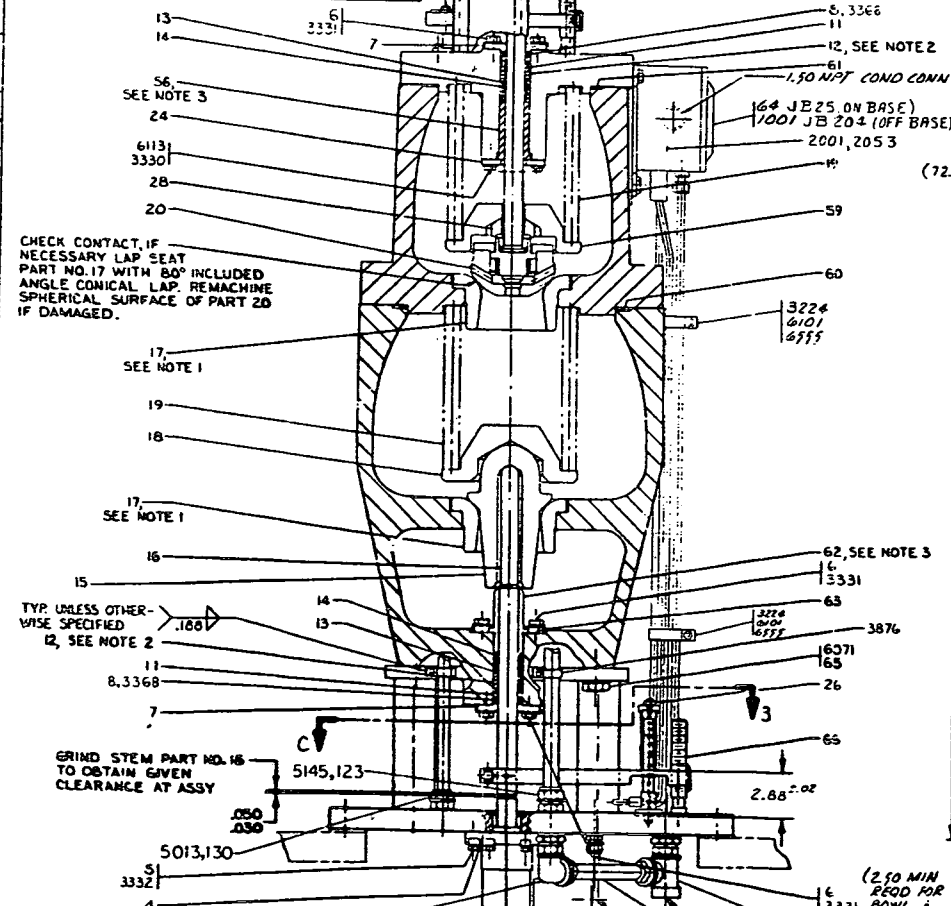


SECTION C-3 (L-2)

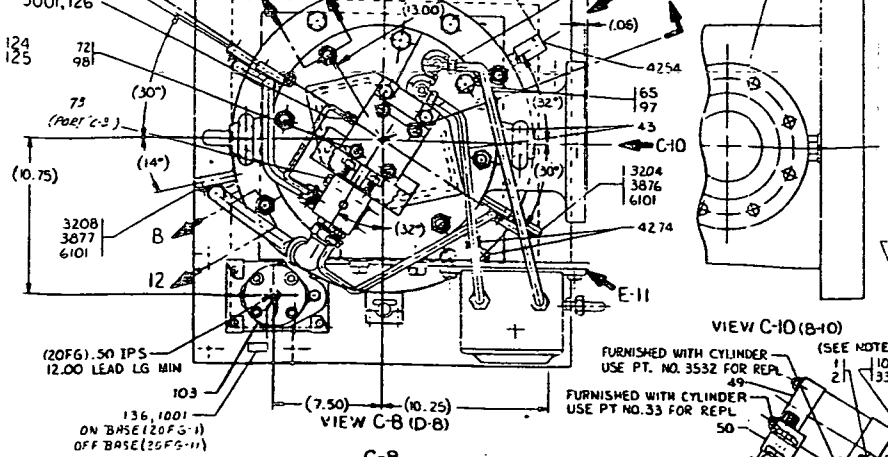
BASIC VALVE ASSY ONLY	
CR NO.	DESCRIPTION
3	BASIC VALVE WITH GUT CENTRAL PLUGS, PT 15 & PT 20, & NAME PLATE, PT 54
4	CORR ATMSPR JUNCTION BOX, PT 80, OTHERWISE SAME AS G3
5	CORR ATMSPR JUNCTION BOX, PT 80, & ALL SST TUBE FITTINGS, OTHERWISE SAME AS G3
9	CORR ATMSPR JUNCTION BOX, PT 86, & ALL SST TUBE FITTINGS, DUAL SOLENOID VALVE, PT 103 (SEE ZCME L-13), OTHERWISE SAME AS G3
12	DIFF KLOZURE, PT 8, & GASKETS, PIS 60 & 61, ADD SEALANT, PT 3368, & INSTR, PT 135, OTHERWISE SAME AS G3
17	SEAMLESS SST TUBING, SST TUBE FITTINGS, OTHERWISE SAME AS G3
19	SEAMLESS SST TUBING, SST TUBE FITTINGS, DIFF KLOZURE, PT 8, ADD SEALANT, PT 3368, & INSTR, PT 135, OTHERWISE SAME AS G3
23	SEAMLESS SST TUBING, SST TUBE FITTINGS, DIFF KLOZURE, PT 8, ADD SEALANT, PT 3368 & INSTR, PT 135, SST HDW FOR JB25 OTHERWISE SAME AS G3
25	SEAMLESS SST TUBING, SST TUBE FITTINGS, DIFF KLOZURE, PT 5, ADD SEALANT, PT 3368, HIGH TEMP HDW, PT 91, INSTR, PT 135, V.W. S/A G3



CHECK CONTACT, IF NECESSARY LAP SEAT PART NO. 17 WITH 80° INCLUDED ANGLE CONICAL LAP. REMACHINE SPHERICAL SURFACE OF PART 20 IF DAMAGED.

TYP UNLESS OTHERWISE SPECIFIED
R2, SEE NOTE 2

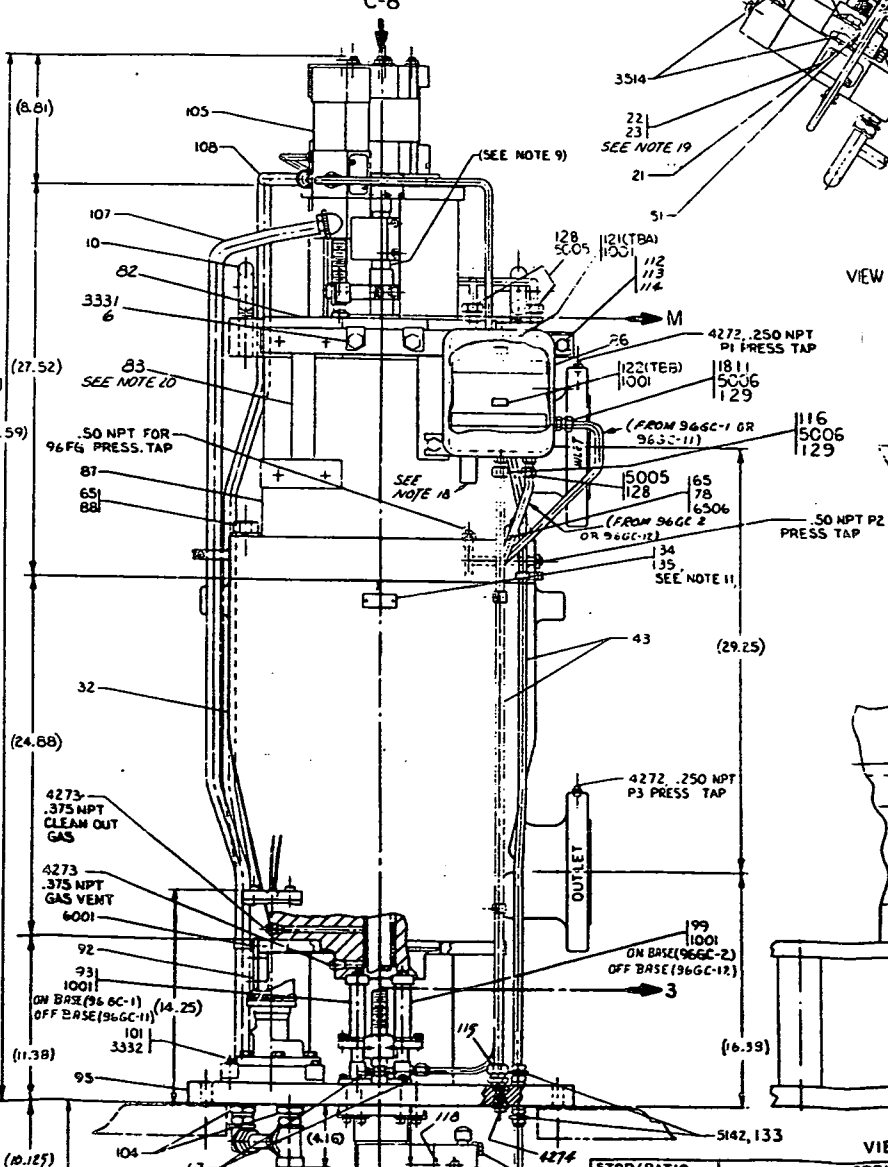
GRIND STEM PART NO. 16 TO OBTAIN GIVEN CLEARANCE AT ASSY



C-8

VIEW C-10 (B-10)

VIEW C-8 (D-B)



VIEW E-11 (C-9)

VIEW L-11 (A-9)



SECTION B

SECTION C

SECTION H-12