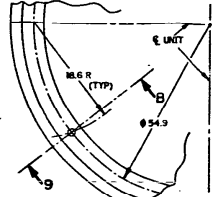
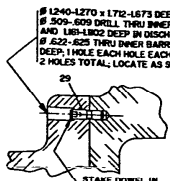


SECTION B-2 (C-5)



SECTION B-8 (F-4)



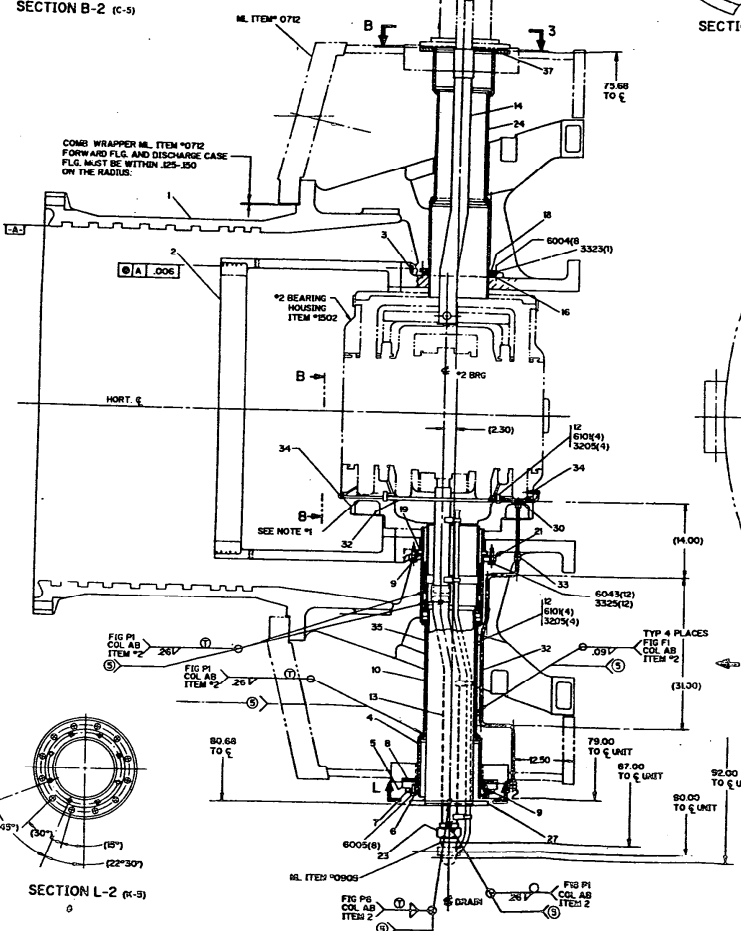
SECTION B-9 (G-7)

Ø 1240-1270 x L712-1673 DEEP
Ø 509-609 DRILL THRU INNER BARREL
AND 1815-1822 DEEP IN DISCHARGE CASE.
Ø 622-628 THRU INNER BARREL AND 945-964
DEEP. 1 HOLE EACH SIDE LEFT HAND
2 HOLES TOTAL. LOCATE AS SHOWN.

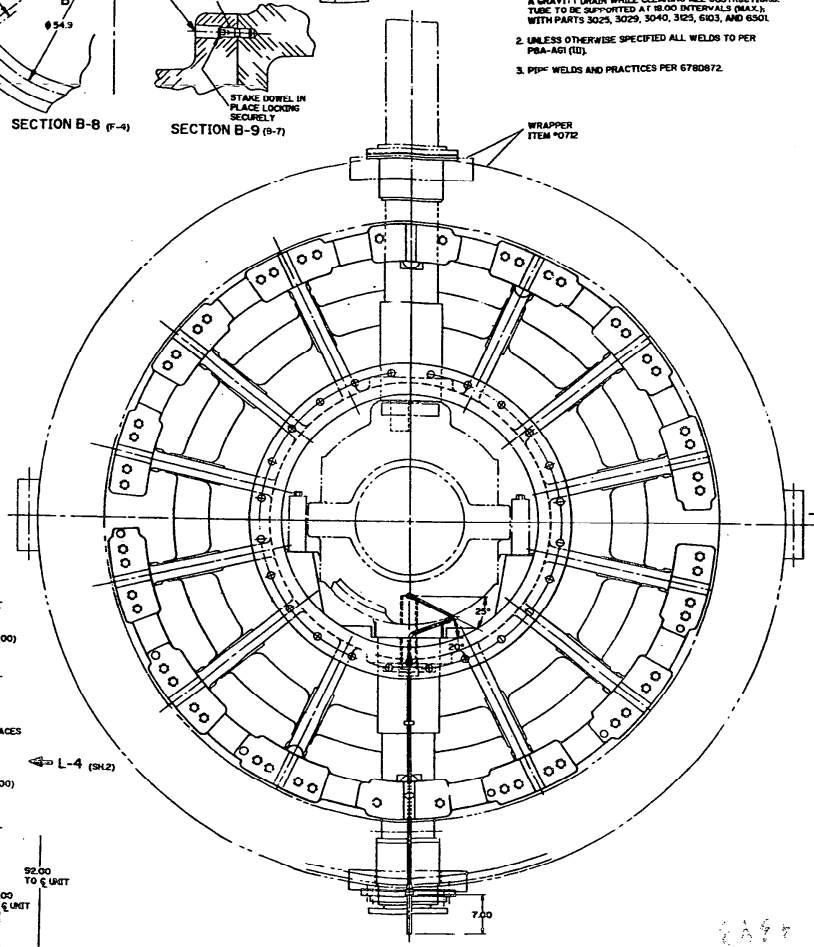
STAKE DOWEL IN
PLACE LOCKING
SECURELY.

NOTES:

1. TUBE RIM MUST BE ROLLED AT ASH SO AS TO AFFECT A GRAVITY DRAIN WHILE CLEARING ALL OBSTRUCTIONS. TUBE TO BE SUPPORTED AT 60.00 INTERVALS (MAX.) WITH PARTS 3025, 3029, 3040, 3021, 6003, AND 6001.
2. UNLESS OTHERWISE SPECIFIED ALL WELDS TO PER PFA-AGI (10).
3. WPS WELDS AND PRACTICES PER 6780872.



SECTION L-2 (K-5)



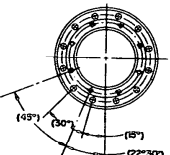
WRAPPER ITEM #072

COMB WRAPPER ML ITEM #072
FORWARD FLG. AND DISCHARGE CASE
FLG. MUST BE WITHIN .025-.100
ON THE RADII.

*2 BEARING HOUSING
ITEM #502

*2 BRG

L-4 (S4.2)



SECTION L-2 (K-5)

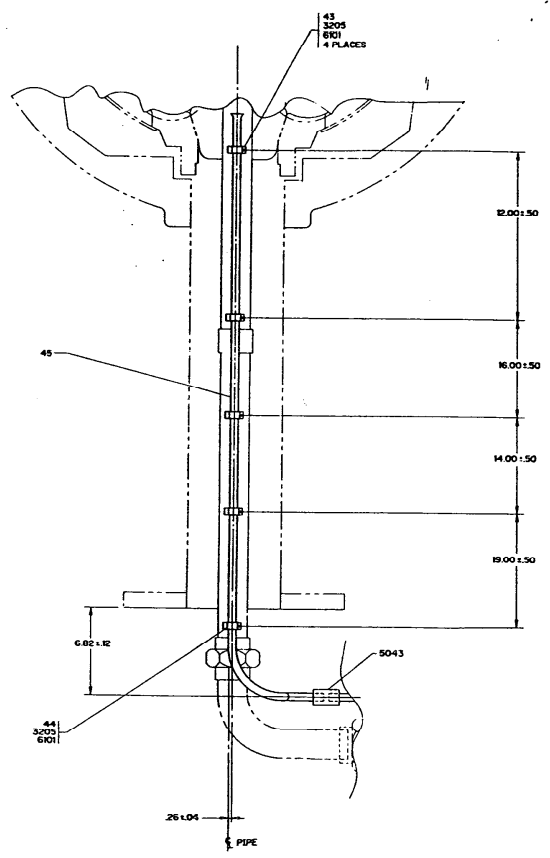
1	WELD CONT.	6780872
2	PIPE FAB	6780872
3	WELD PROC.	PFA-AGI
4	WELD PRACTICES	6780872
5	WELDING PRACTICES	6780872
6	WELDING PRACTICES	6780872
7	WELDING PRACTICES	6780872
8	WELDING PRACTICES	6780872
9	WELDING PRACTICES	6780872
10	WELDING PRACTICES	6780872
11	WELDING PRACTICES	6780872
12	WELDING PRACTICES	6780872
13	WELDING PRACTICES	6780872
14	WELDING PRACTICES	6780872
15	WELDING PRACTICES	6780872
16	WELDING PRACTICES	6780872
17	WELDING PRACTICES	6780872
18	WELDING PRACTICES	6780872
19	WELDING PRACTICES	6780872
20	WELDING PRACTICES	6780872

COPYRIGHT 1980 GENERAL ELECTRIC COMPANY
PROPERTY AND INFORMATION ARE RESERVED BY GENERAL ELECTRIC COMPANY. THIS DRAWING IS THE PROPERTY OF GENERAL ELECTRIC COMPANY AND IS NOT TO BE REPRODUCED OR TRANSMITTED IN ANY FORM OR BY ANY MEANS, ELECTRONIC OR MECHANICAL, INCLUDING PHOTOCOPYING, RECORDING, OR BY ANY INFORMATION STORAGE AND RETRIEVAL SYSTEM.

DATE: 10/1/80
DRAWN BY: [Signature]
CHECKED BY: [Signature]
APPROVED BY: [Signature]

103E8663

GENERAL ELECTRIC 103E8663
CASE ARR. CPRSR DISCHARGE
FORM MPEL CO. 8402-1



VIEW L-4 (J-8 SK)

COPYRIGHT 1950 GENERAL ELECTRIC COMPANY
PROPRIETARY INFORMATION—THE COMPANY ASSUMES NO RESPONSIBILITY
FOR REPRODUCTION OF THIS DRAWING OR FOR THE USE OF THIS DRAWING
IN CONNECTION WITH ANY OTHER PROJECTS OR FOR THE REPRODUCTION
HEREOF BY ANY OTHER PERSON, FIRM, OR ORGANIZATION.

REV.	DATE	BY	CHKD.	APP.
1				
2				
3				
4				
5				
6				
7				
8				
9				
10				
11				
12				
13				
14				
15				

103E8663

103E8663