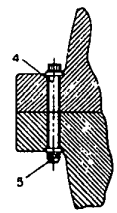
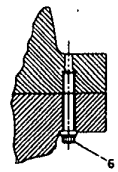


← F-5 (18H.2)

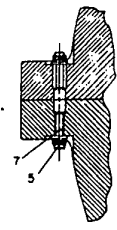
SECTION J-9 (10-4)



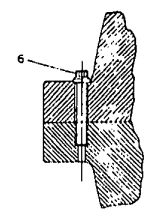
SECTION L-5 (1-9, SH.2)



SECTION M-7 (1-9, SH.2)

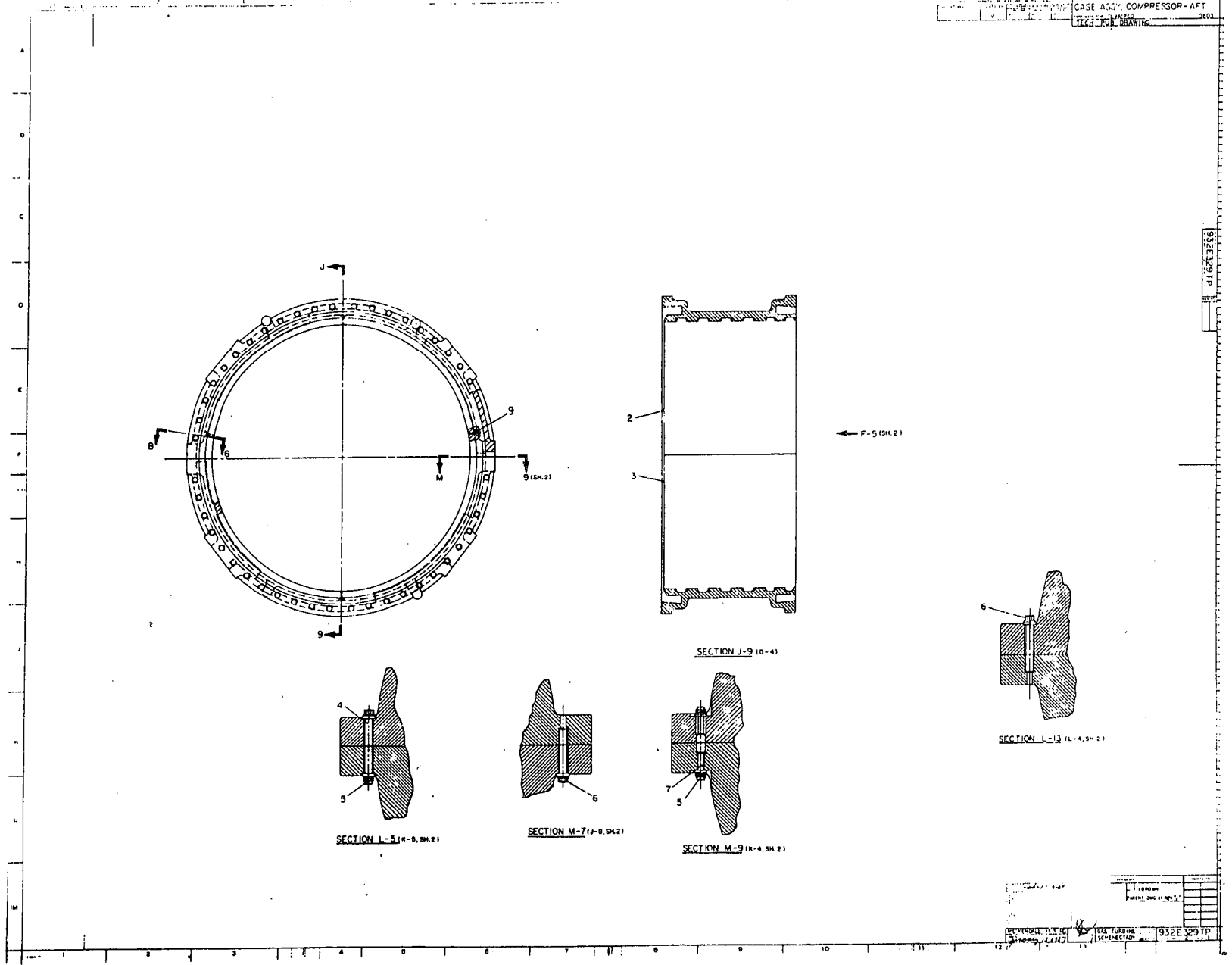


SECTION M-9 (1-4, SH.2)



SECTION L-13 (1-4, SH.2)

3AFA



DESIGNED BY	DATE
CHECKED BY	DATE
APPROVED BY	DATE
PROJECT NO.	
REV.	
932E 129 TP	