

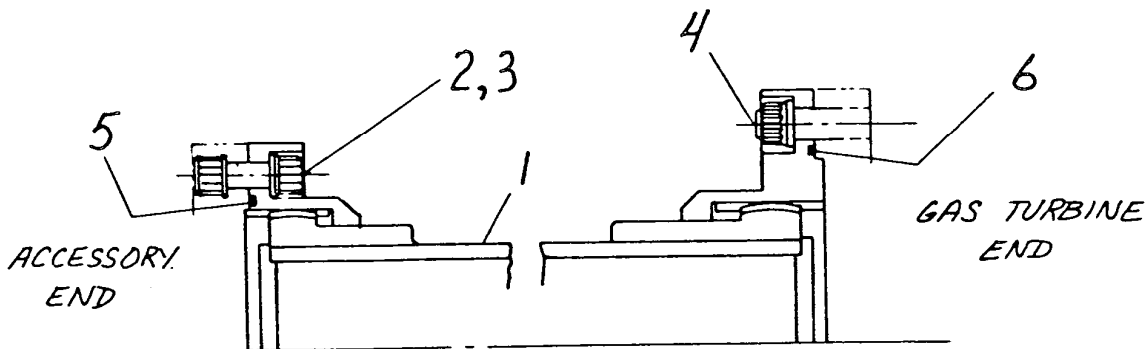
GENERAL ELECTRIC

307A9220

REV. 2  
307A9220  
CONT ON SHEET F SH NO. 1

TITLE  
COUPLING, ACCESSORY GEAR  
FIRST MADE FOR 9001 1313

P.L. ISSUED



- (G1)
- (G2) CPLG PROVIDED BY ZURN, OWSA G-1
- (G3) CPLG PROVIDED BY SIER-BATH, OWSA G-1

COPYRIGHT 1974 GENERAL ELECTRIC COMPANY

PROPRIETARY INFORMATION-THIS DOCUMENT CONTAINS PROPRIETARY INFORMATION OF THE GENERAL ELECTRIC COMPANY AND MAY NOT BE USED OR DISCLOSED TO OTHERS, EXCEPT WITH THE WRITTEN PERMISSION OF GAS TURBINE DIVISION, GENERAL ELECTRIC COMPANY.

1	APPLIED PRACTICE	113D5700
IT.	NOMENCLATURE	IDENT
LIST OF COMPLEMENTARY DOCUMENTS		
SIMILAR TO:		CALC WT LBS

UNLESS OTHERWISE SPECIFIED USE	APPLIED PRACTICES	SURFACES	TOLERANCES ON MACHINED DIMENSIONS		
	SEE ITEM #1	✓	FRACTIONS	DECIMALS	ANGLES
			+	+	+
			-	-	-

FC VS AO OC WPT OC LI  
DT GAO OC WPT OC LI  
MI SS SC SR OS ROP  
SPN G SC SR OS ROP

DESIGN	R Temp 1-16-81
MAILS	
ENGRS	
DRG	
QA	R. W. ... 2/4/81

REVISIONS	PRINTS TO
2 P.V. May 7, 1984	
ADDED G2 & G3	

MADE BY M.C. Fisher 11-7-80	APPROVALS MCF	GAS TURBINE DIV OR DEPT	307A9220
ISSUED February 2, 1981		SCHENECTADY LOCATION	CONT ON SHEET F SH NO. 1

FF-803-F (11-79)  
PRINTED IN U.S.A.

0101