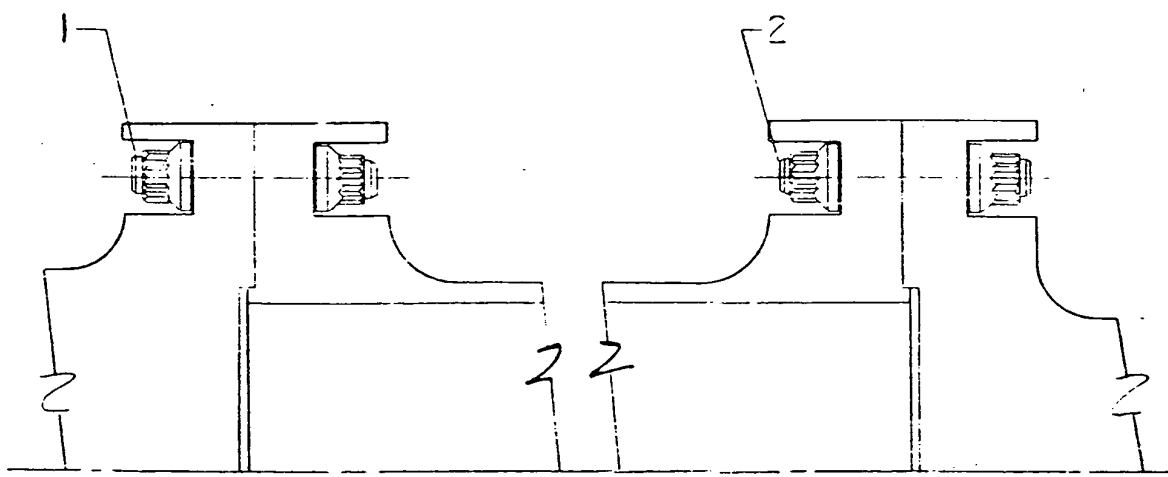


295A9695
CONT ON SHEET F SH NO. 1

REV NO. 295A9695
CONT ON SHEET F SH NO. 1

TITLE: HARDWARE - LOAD COUPLING
FIRST MADE FOR 7L9A1GA10-1 1309
PL ISSUED



TURBINE END

LOAD END

(G1) (G3) (G5) ADDTL HARDWARE FOR
LOAD CLUTCH INCLUDED.
(G2) (G4)

PC 2/3 AO OC WPT LI
DT 1/2 GAO OC WPT LI
MI 1/2 SC SR OS ROP
SPN 1/2 G SC SR OS ROP

DI PC OO
DC DSC DT
PC SPN MI
AQ SC IC

1	APPLIED PRACTICE	113D5700
IT.	NOMENCLATURE	IDENT
LIST OF COMPLEMENTARY DOCUMENTS		
SIMILAR TO:		CALC WT LBS

UNLESS OTHERWISE SPECIFIED USE	APPLIED PRACTICES	SURFACES	TOLERANCES ON MACHINED DIMENSIONS		
	SEE ITEM #1	✓	FRACTIONS	DECIMALS	ANGLES
			+	+	+
			-	-	-

REVISIONS		PRINTS TO
	PJW/THM April 18, 1979 ADDED GROUP 5	
	27/1/1/1 TRM Oct 31, 1979 ADDED GROUP 3	
	MIC/PAW Apr. 14, 1981 ADDED GROUP 4	
	ADDED GROUP 5	
	2/2/5/5/5 Oct 19, 1981	

COPYRIGHT 1984 GENERAL ELECTRIC COMPANY

T.R.K. 3-19-79

PROPRIETARY INFORMATION
This document includes proprietary information of the General Electric Company and may not be used for purposes other than that for which it was originally furnished, except with written permission from the GAS TURBINE DEPARTMENT General Electric Company.

MADE BY <i>Paul J. Whiston</i> 3-9-79	APPROVALS <i>PJW</i>	GTP SCHENECTADY	DIV OR DEPT. LOCATION	295A9695 CONT ON SHEET F SH NO. 1
ISSUED March 26, 1979				

0769

10