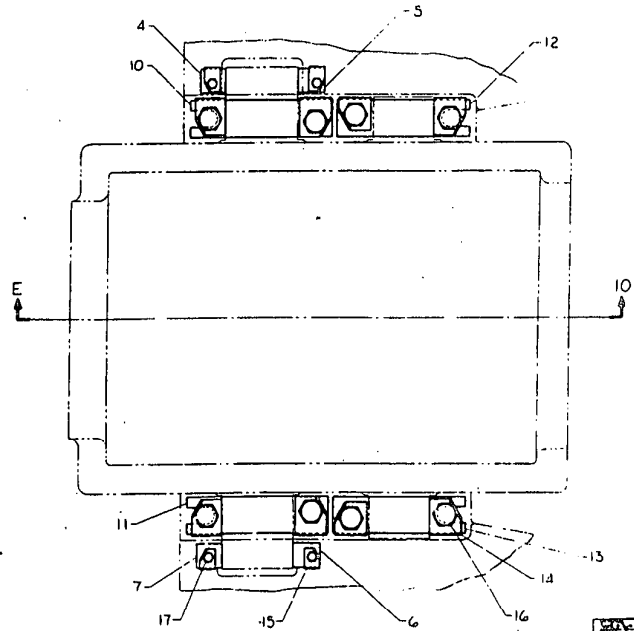
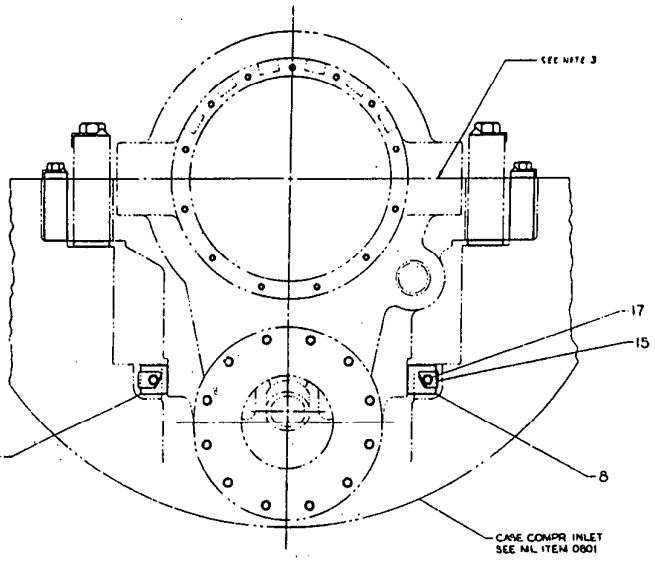
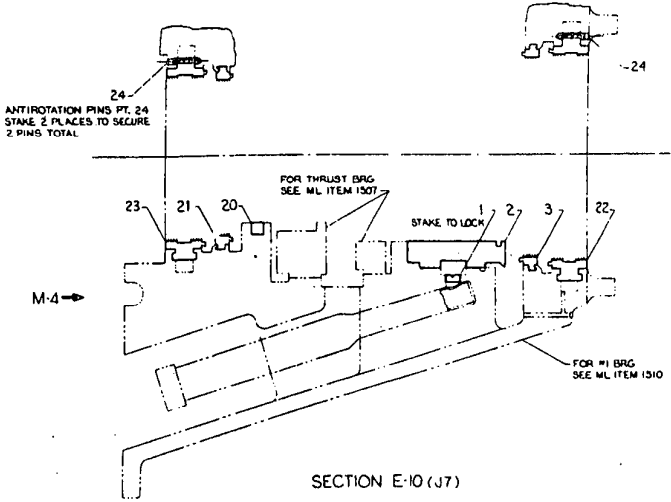


322327

GENERAL ELECTRIC 93-527

BEARING ASSY - 1
REV. 10/60

- NOTES:
1. SEE ALIGNMENT DIAGRAM (ML ITEM 409) FOR ALIGNMENT & SHIMMING OF BRG HOUSING
 2. WEIGHT & C.G. INCLUDES ALL PARTS ON THIS PL. THRU.
 3. BRGS & BRG HOUSING
 3. APPLY SEALANT PORT IT TO MERIDIONAL JOINT, SEALANT: MIL OIL TO AIR SURFACE



REV.	DESCRIPTION	DATE	BY	CHKD.
1	ISSUED FOR PRODUCTION			
2	REVISION			
3	REVISION			
4	REVISION			
5	REVISION			
6	REVISION			
7	REVISION			
8	REVISION			
9	REVISION			
10	REVISION			
11	REVISION			
12	REVISION			
13	REVISION			
14	REVISION			
15	REVISION			
16	REVISION			
17	REVISION			
18	REVISION			

DATE	BY	CHKD.

322327

3210