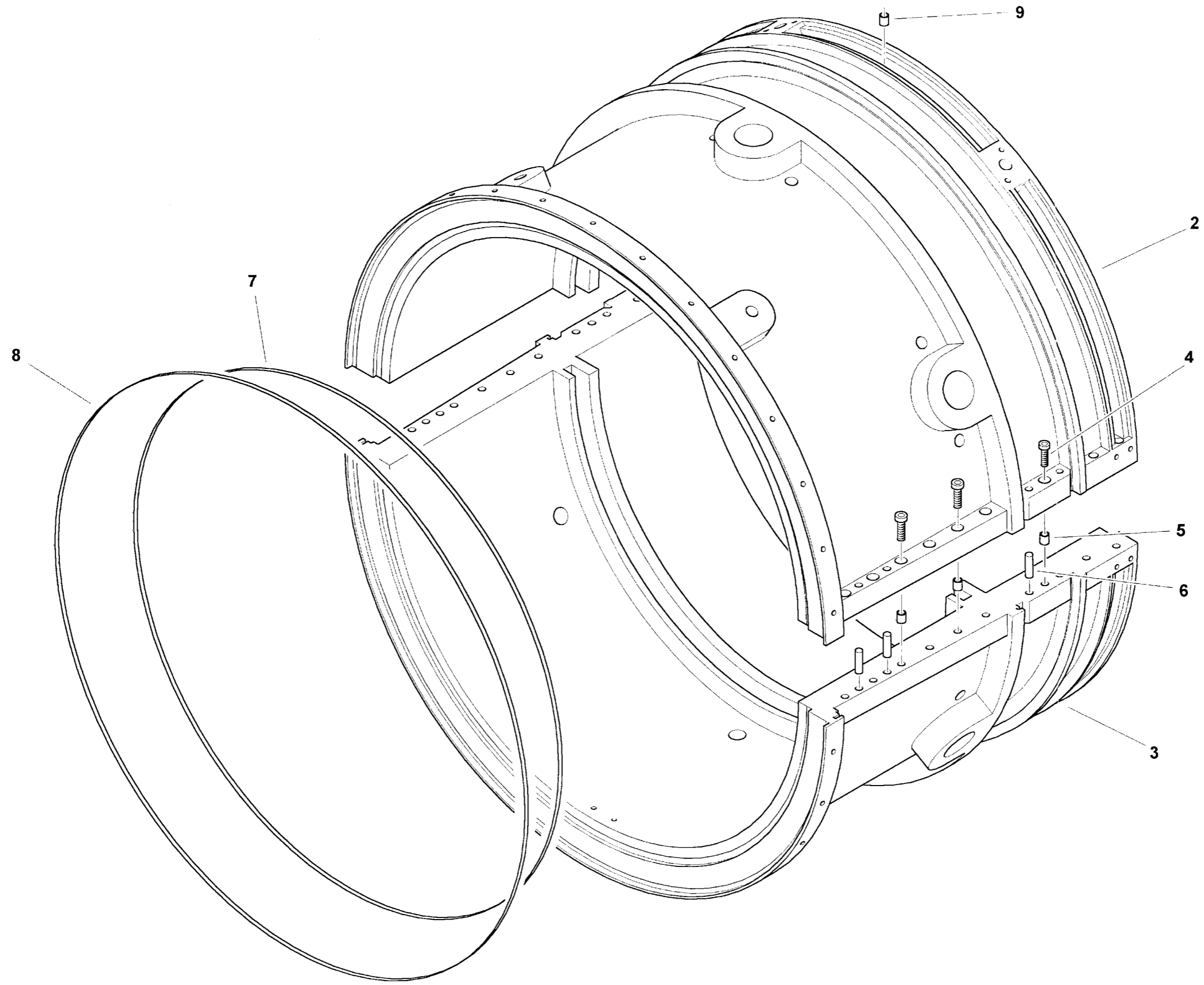




2ND STAGE DIAPHRAGM

0705-0681400

POSITION	PART NUMBER	DESCRIPTION	Q.TY
2	SMB 38609	DIAPHRAGM	1
3	SMB 38609	DIAPHRAGM	1
4	GFW 25076	SCREW	18
5	RFU 331090060	HELICOIL	18
6	RPQ 02727	CALIBRATED PIN	4
7	SMR 53549	SEAL SECTOR	72
8	SMR 53548	SEAL SECTOR	72
9	RFU 331040060	HELICOIL	34
10	RFU 330050060	HELICOIL	16



	REV. REV.	DESCRIZIONE DESCRIPTION	Nuovo Pignone FIRENZE	TITOLO - TITLE 2ND STAGE DIAPHRAGM	ITEM 0705 N 0705-0681400	LING.-LANG. A TAV.-SH. 1/1
--	--------------	----------------------------	---------------------------------	---------------------------------------	--------------------------------	-------------------------------------