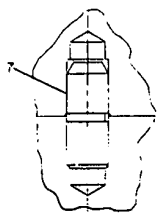
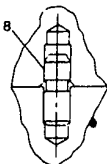


932E175TP

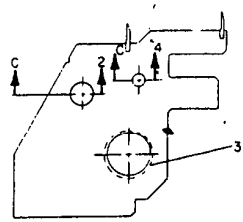
932E175TP
RING SUPPORT, STG-1
MURPHY, INC.
TECH PUB. DRAWING



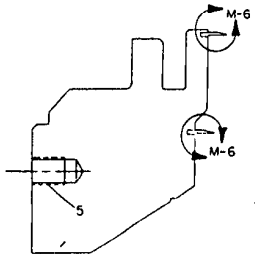
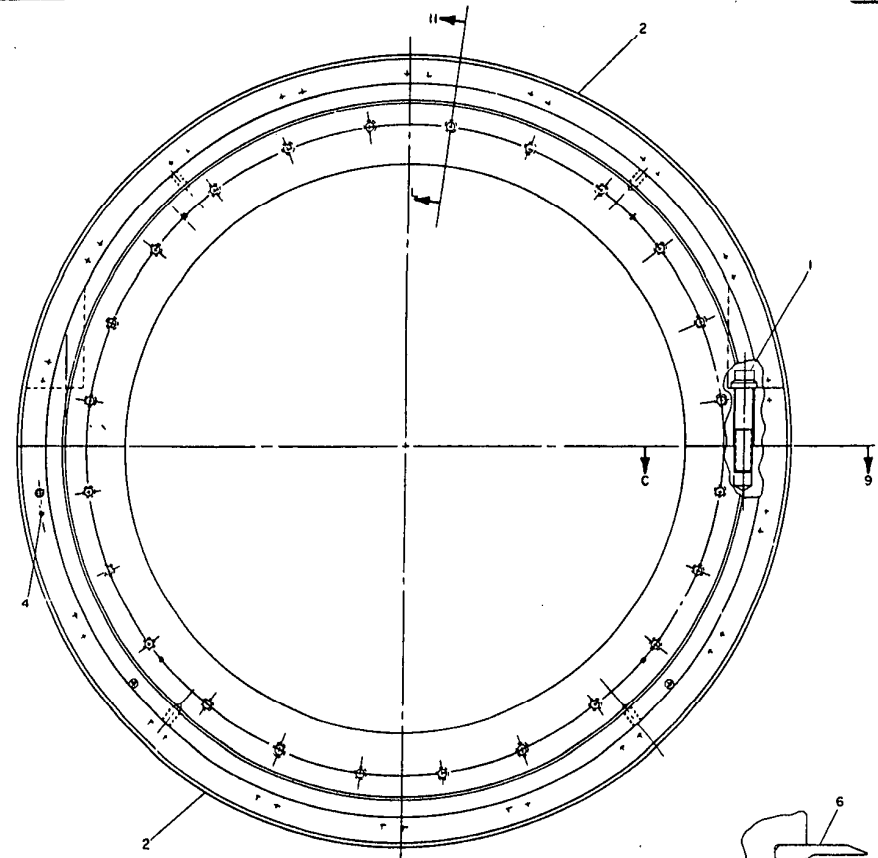
SECTION C-2 (8-9)



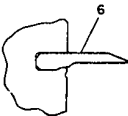
SECTION C-4 (8-9)



SECTION C-9 (H-9)



SECTION L-11 (C-9)



DETAIL M-6 (J-11) B (K-11)

(G)

ALDO

DATE	BY	CHKD	APP'D
1. NUMBER OF REVISIONS SHOWN AT BOTTOM OF DRAWING			
1			
2			
3			
4			
5			
6			
7			
8			
9			
10			
11			
12			